

# Type RLC/20

---

## RLC/20 Pneumatic Loaded Regulators, Single Seated, with Counterbalanced Valve Disc

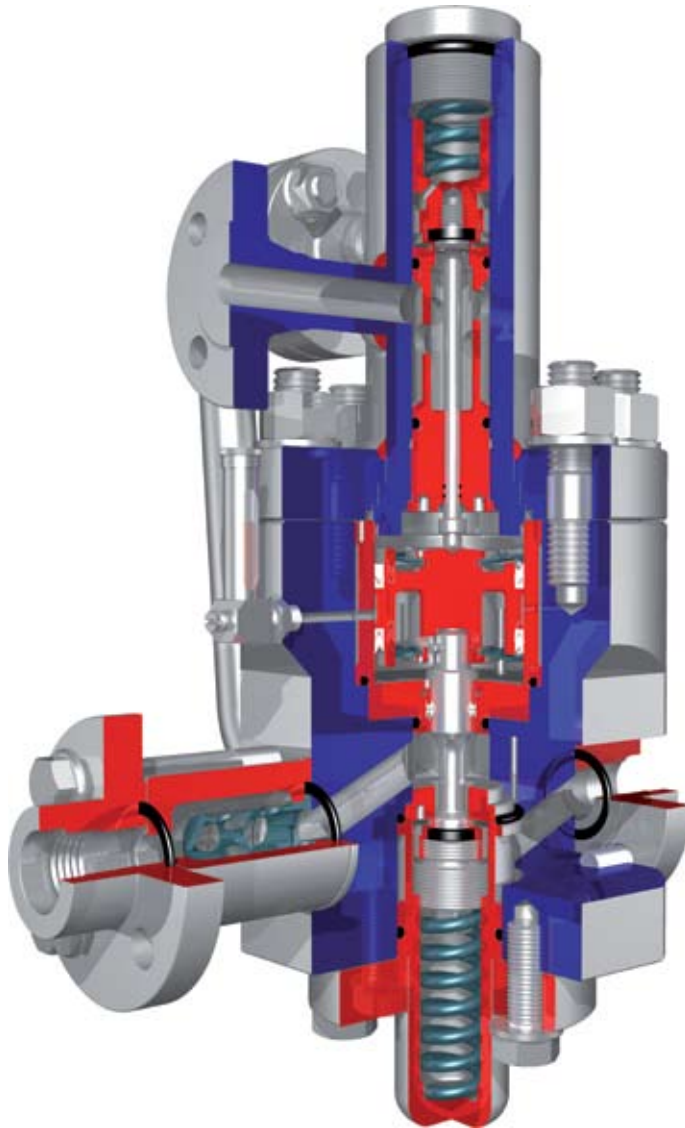


Type RLC/20 Regulator

### *Benefits:*

- Counterbalanced valve disc
- Welding or threaded flanges configurations
- Built-in relief valve and filter

Used in gas distributing stations for automotive use. They can also be employed in installations for industrial use, using high pressure gas compressed in cylinders and cylinder-truck installations normally fed through the pipeline



RLC/20 Type

### Specifications

Body allowable pressure	PS	: 320 bar
Inlet pressure range	$b_{pu}$	: 30 to 320 bar
Outlet pressure range	$W_d$	: 20 to 250 bar
Min. operating diff. press.	$\Delta p_{min}$	: 10 bar
Accuracy class	AC	: up to $\pm 2.5\%$
Lock-up pressure class	SG	: up to 5%
Class of lock-up press. zone	SZ	: up to 10%

### Threaded Connections

Inlet and Outlet: 1" NPT

### Materials

Body and cover	Steel
Seat	Stainless Steel
Diaphragm	Fabric Nitrile (NBR)+PVC
Pad	Nitrile (NBR) Rubber

For more information contact:

Italy

Tel.: +39 - 0514190611

Fax: +39 - 0514190715

France

Tel.: +33 (0)2 37 33 47 00

Fax: +33 (0)2 37 31 46 56

email: [pressure.regulators@emersonprocess.com](mailto:pressure.regulators@emersonprocess.com)